

REPAIR PARTS CATALOG



SOIL GROOMER

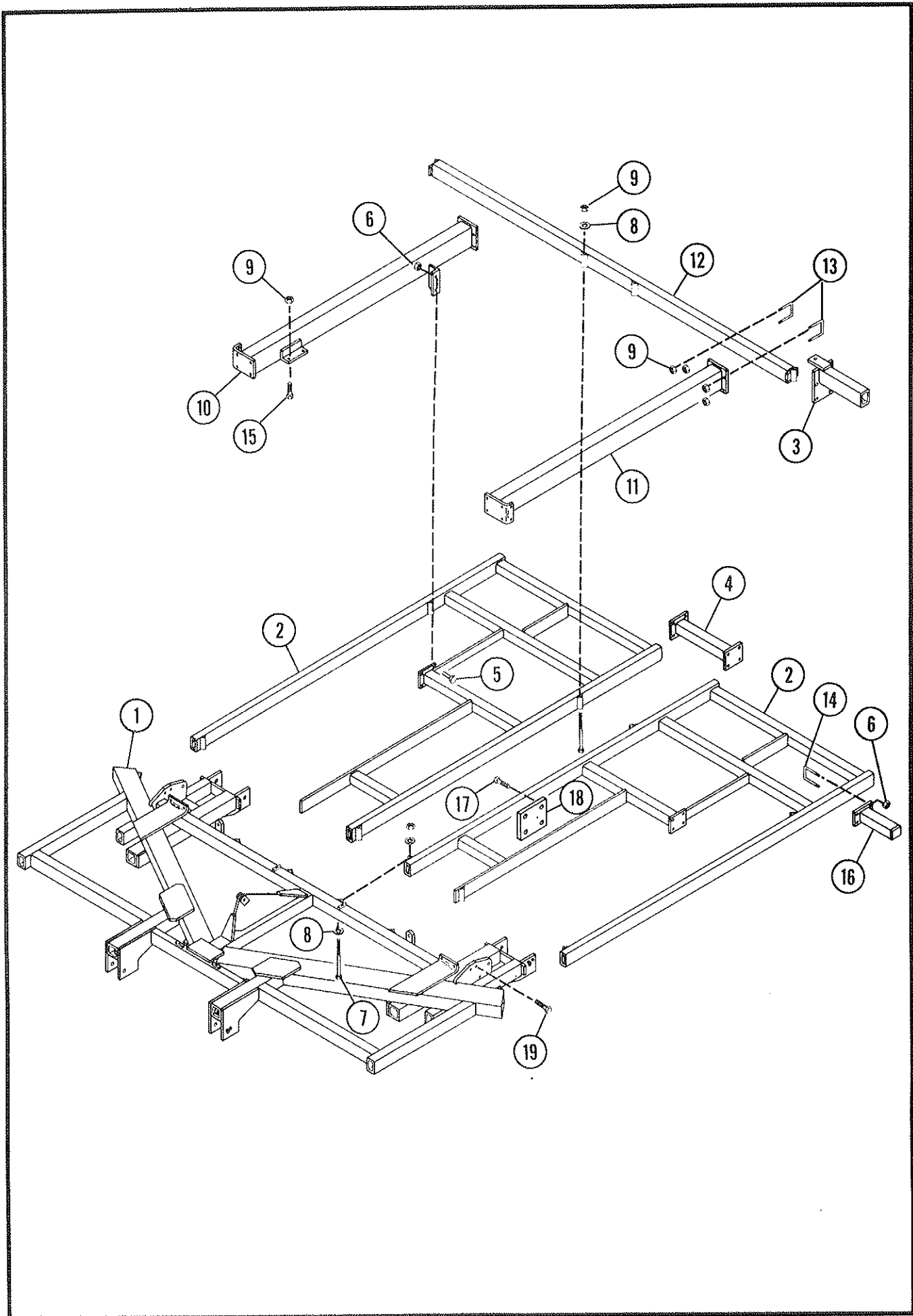
MODELS:	SGS-12	SGR-12	SGS-121	SGR-121
	SGS-12-1	SGR-12-1	SGS-121-1	SGR-121-1
	SGS-15	SGR-15	SGS-151	SGR-151
	SGS-15-1	SGR-15-1	SGS-151-1	SGR-151-1
	SGS-18	SGR-18	SGS-181	SGR-181
	SGS-18-1	SGR-18-1	SGS-181-1	SGR-181-1
	SGS-21	SGR-21	SGS-211	SGR-211
	SGS-21-1	SGR-21-1	SGS-211-1	SGR-211-1

MODEL NO.
DATE PURCHASED

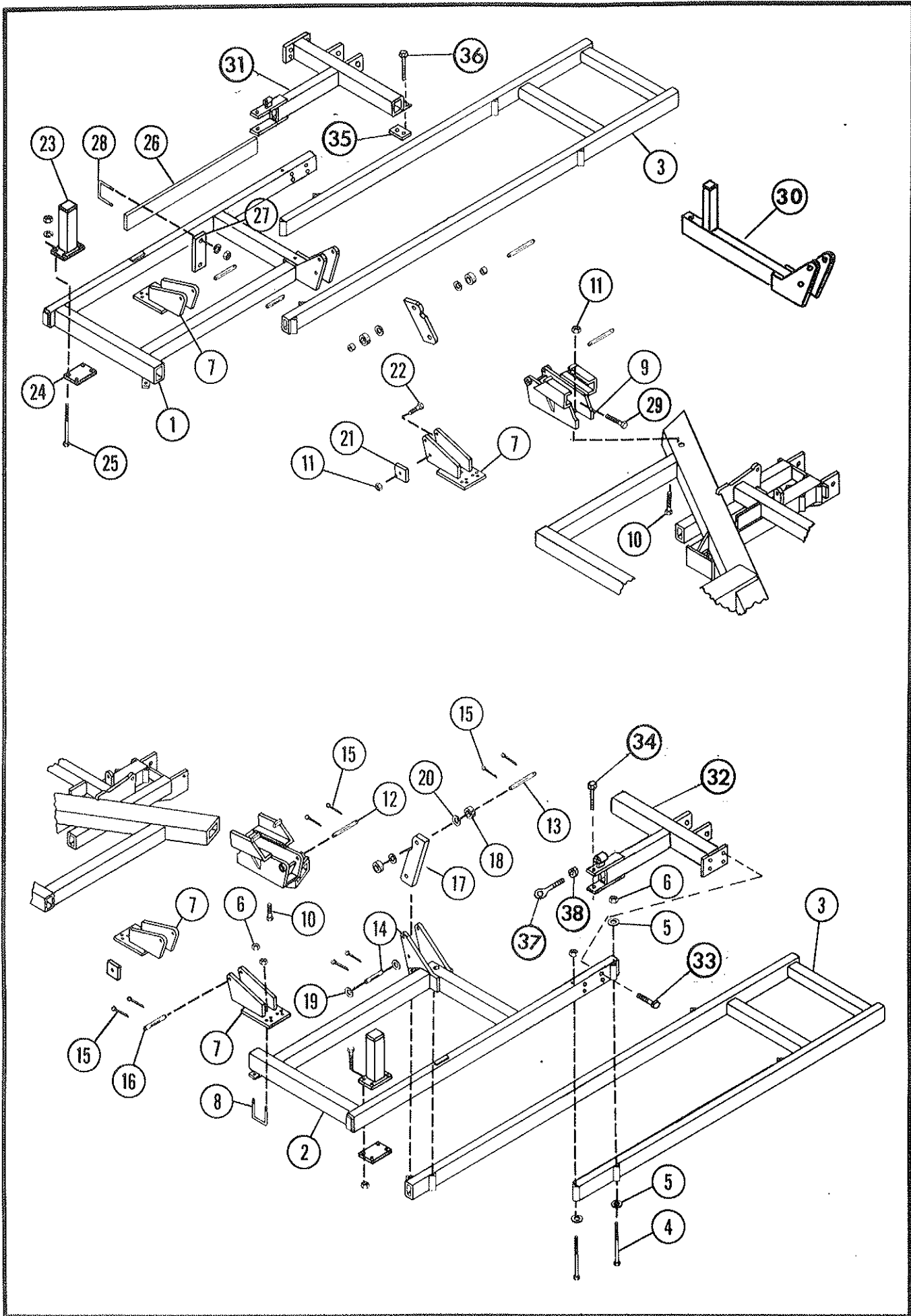
IMPORTANT!

Repairs cannot be purchased retail direct from factory. Order through your Brillion dealer.

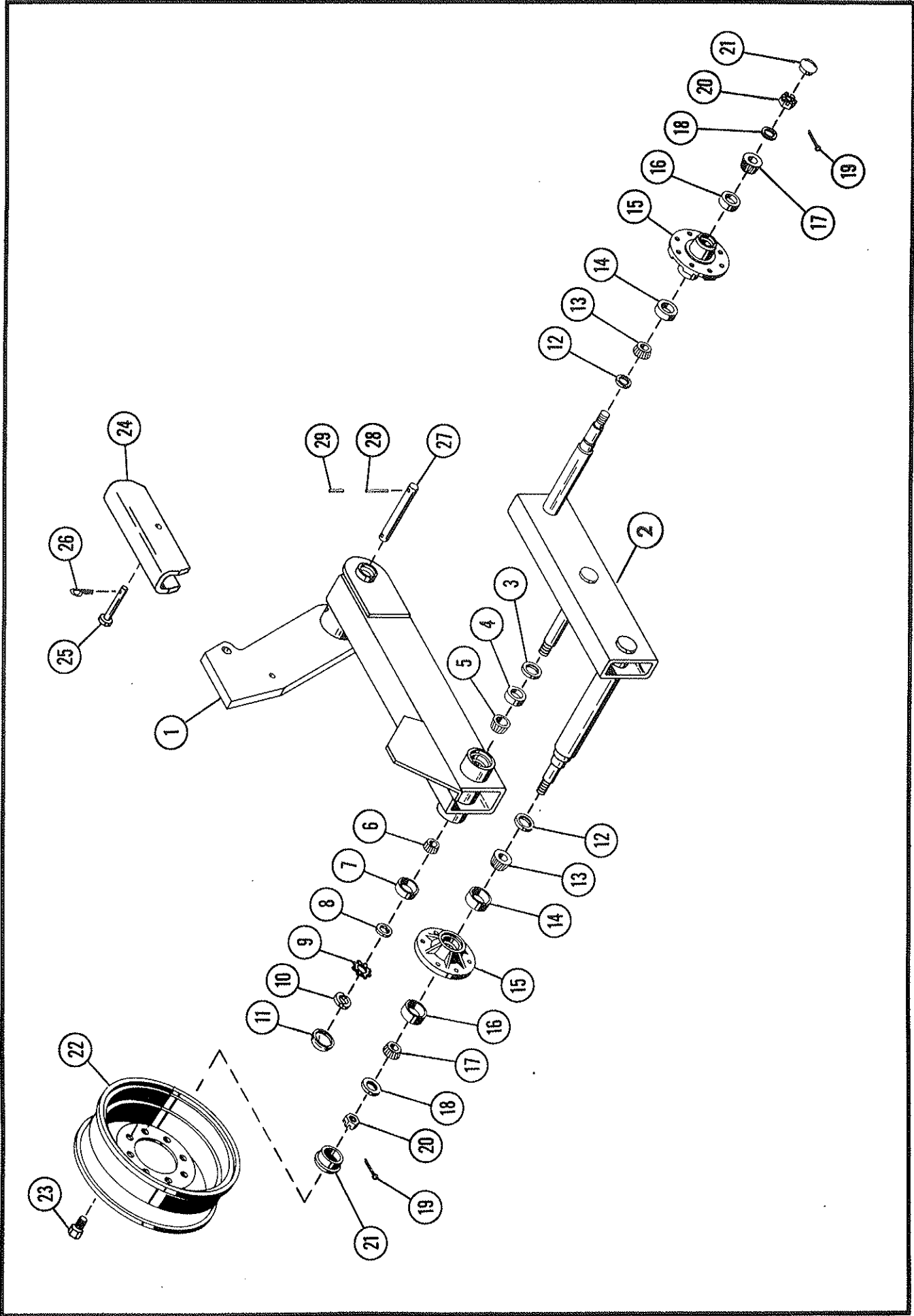
**BRILLION IRON WORKS
BRILLION, WISCONSIN 54110**



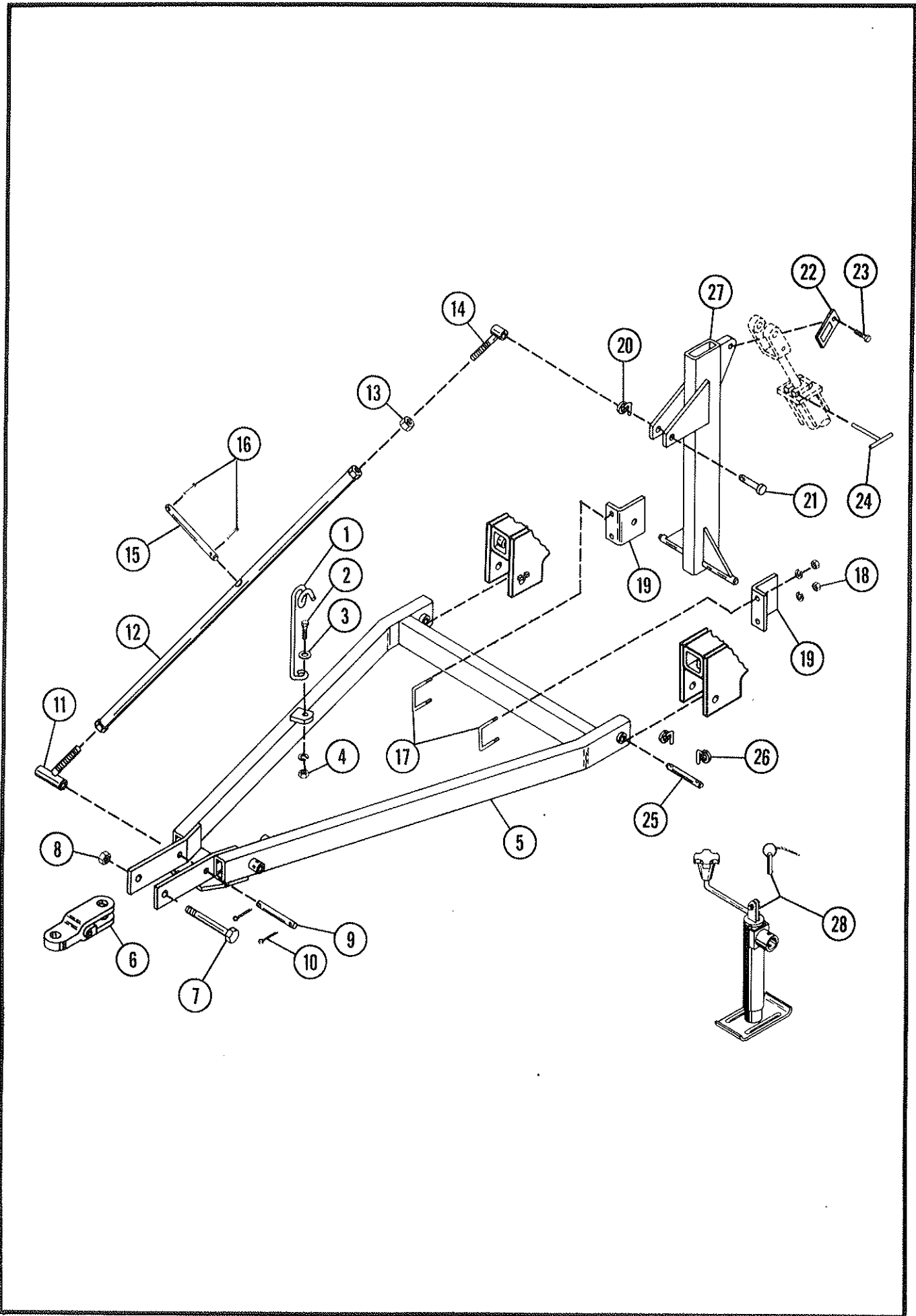
CENTER FRAME ASSEMBLY				
Index No.	Part No.	Description	No. Used	Weight
1	5J-876	Center Frame	1	908.0
2	5J-949	Tooth Frame	2	303.0
3	6J-222	Extension (SGR - Models Only)	2	15.6
4	6J-219	Extension	2	18.3
5	1C-267	Capscrew, 1/2 x 1-1/2" Long	4	.1
6	1C-390	Nut, 1/2"		-
	1C-109	Lockwasher, 1/2"		-
7	5J-912	Bolt, 5/8 x 9-1/2" Long		.9
8	5J-911	Washer (Special)		.2
9	1C-392	Nut, 5/8"		-
	1B-166	Lockwasher, 5/8"		-
10	5J-992	Tube Assembly - R.H. (18' & 21' Models Only)	1	185.0
	6J-9	Tube Assembly - R.H. (12' & 15' Models Only)	1	116.0
11	5J-991	Tube Assembly - L.H. (18' & 21' Models Only)	1	185.0
	6J-10	Tube Assembly - L.H. (12' & 15' Models Only)	1	116.0
12	5J-950	Rear Super Tube	1	128.0
13	5J-914	U-Bolt, 5/8"	4	1.1
14	5J-915	U-Bolt, 1/2"		.6
15	4D-373	Capscrew, 5/8 x 5-1/2" Long	4	.5
16	5J-909	Stub Extension - 12"		10.3
	5J-905	Stub Extension - 4-1/2"		6.0
	6J-701	Stub Extension - 6"		6.6
	5J-907	Stub Extension - 8-1/2"		8.2
	5J-902	Stub Extension - 17-1/2"		13.3
17	1D-237	Capscrew, 1/2 x 2" Long		.2
18	5J-901	Plate	2	3.5
19	1D-522	Capscrew, 5/8 x 2-1/4" Long	4	.3



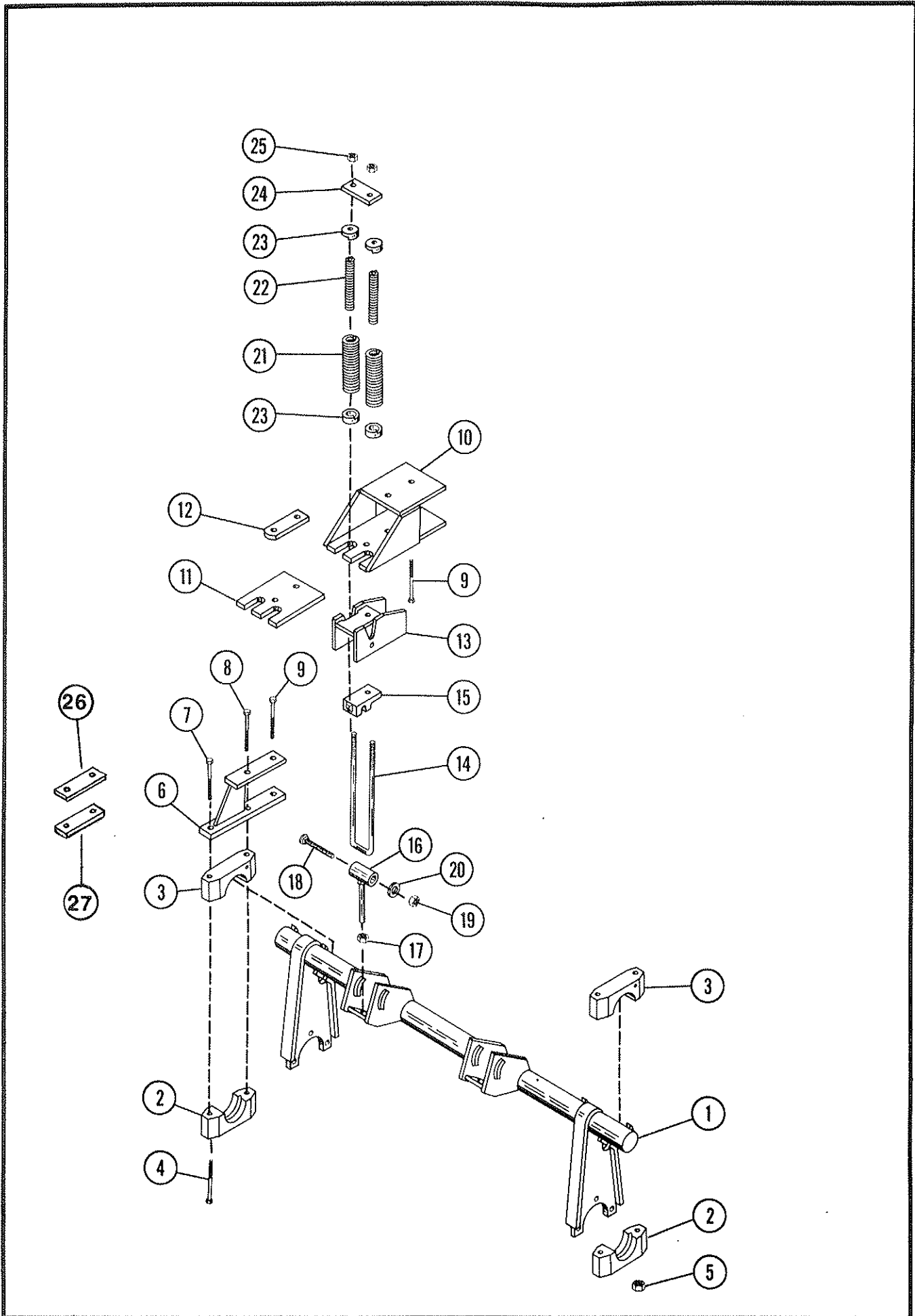
WING FRAME ASSEMBLY (18' & 21' MACHINES)					
Index No.	Part No.	Description	No. Used	Weight	
1	7J-898	Front Wing Frame, R.H.	Used on machines shipped after 3/1/87	1	223.0
2	7J-897	Front Wing Frame, L.H.		1	223.0
3	7J-457	Wing Tooth Frame		1	163.4
1	7J-458	Front Wing Frame, R.H.	Machines shipped between 7/1/84 and 3/1/87	1	249.4
2	7J-459	Front Wing Frame, L.H.		1	249.4
3	7J-457	Wing Tooth Frame		2	163.4
1	6J-372	Front Wing Frame, R.H.	Used on machines shipped before July 1, 1984	1	253.0
2	6J-31	Front Wing Frame, L.H.		1	253.0
3	5J-973	Wing Tooth Frame		2	178.0
4	5J-912	Bolt, 5/8 x 9-1/2" Long			.9
5	5J-911	Washer (Special)			.2
6	1C-392	Nut, 5/8"			-
	1B-166	Lockwasher, 5/8"			-
7	5J 983	Hinge	6		38.0
8	6J-50	U-Bolt, 5/8"			1 1
9	5J-986	Lift Hinge	2		79.0
10	6D-877	Machine Bolt, 3/4 x 10" Long	2		1.4
11	1C-210	Nut, 3/4"			.1
	1C-211	Lockwasher, 3/4"			-
	1C-133	Flat Washer, 3/4"			.1
12	6J-44	Hinge Pin	2		2.6
13	6J-45	Cylinder Pin	2		1.7
14	6J-46	Pin	2		1.9
15	2D-894	Roll Pin, 1/4 x 2"			-
16	4J-575	Hinge Pin	4		2.3
17	6J-42	Lift Link	2		14.0
18	6J-47	Roller Assembly	4		1.7
19	6C-406	Flat Washer, 1-1/4"			.1
20	1C-871	Flat Washer, 1"			-
21	6J-683	Block	4		2.2
22	3D-510	Capscrew, 3/4 x 2-1/2" Long			.4
23	5J-976	Wing Stand	2		9.5
24	5J-979	Plate	2		1.7
25	3D-925	Capscrew, 3/8 x 5" Long	8		.2
	1C-183	Lockwasher, 3/8"	8		-
	1C-277	Nut, 3/8"	8		-
26	6J-876	Weight (18' Machines Only) 43" Long	2		48.0
	7J-919	Weight (18' Machines Only) 32" Long	2		36.0
27	5J-870	Strap	4		1.7
28	5J-914	U-Bolt, 5/8"	4		1.1
29	5D-990	Capscrew, 5/8 x 2-3/4" Long	4		.3
30	5J-982	Wing Hinge Tube	2		63.0
31	7J-461	Anchor Assembly, R.H.	1		38.5
32	7J-450	Anchor Assembly, L.H.	1		38.5
33	5D-871	Capscrew, 1/2 x 3-1/2" Long	Used on machines shipped after July 1, 1984	8	.3
	1C-109	Lockwasher, 1/2"			-
	1C-390	Nut, 1/2"			-
34	6D-355	Capscrew, 5/8 x 6" Long	2		.6
35	9D-973	Strap	2		1.3
36	1C-266	Capscrew, 1/2 x 5-1/2" Long	4		.3
37	4J-440	Eye Bolt	2		1.8
38	7D-430	Jam Nut, 1"	4		-



WALKING BEAM ASSEMBLY				
Index No.	Part No.	Description	No. Used	Weight
1	5J-922	L.H. Wheel Arm (Shown)	1	87.0
	5J-920	R.H. Wheel Arm (Opposite)	1	87.0
2	6J-931	Axle Beam (Less Hubs)	2	45.0
3	4J-565	Seal	2	.1
4	7C-762	Bearing Cup #LM501310	2	.4
5	7C-763	Bearing Cone #LM501349	2	.5
6	1D-808	Bearing Cone #LM29749	2	.4
7	1D-807	Bearing Cup #LM29710	2	.2
8	5J-336	Keyed Washer	2	-
9	9C-435	Lockwasher #TW107	2	-
10	9C-434	Lock Nut #IN07	2	.2
11	4J-554	Hub Cap	2	.2
12	6D-338	Seal	4	.1
13	5C-480	Bearing Cone #LM48548	4	.3
14	5C-479	Bearing Cup #LM48510	4	.2
15	6D-336	Wheel Hub	4	10.5
16	5C-914	Bearing Cup #LM67010	4	.3
17	5C-913	Bearing Cone #LM67048	4	.3
18	1C-871	Flat Washer	4	-
19	1C-788	Cotter Pin	4	-
20	6D-284	Slotted Nut	4	.2
21	6D-337	Hub Cap	4	.1
22	6D-312	Wheel	4	24.0
23	5C-100	Wheel Bolt		.1
24	6J-648	Transport Lock, 10-1/4" Long		4.3
	6J-649	Transport Lock, 10" Long		4.2
25	3C-335	Clevis Pin	2	.3
26	4C-856	Hairpin Cotter	2	-
27	2J-736	Pin	2	6.5
28	4C-858	Roll Pin, 5/16 x 2" Long	4	-
29	1C-174	Roll Pin, 3/16 x 2" Long	4	-

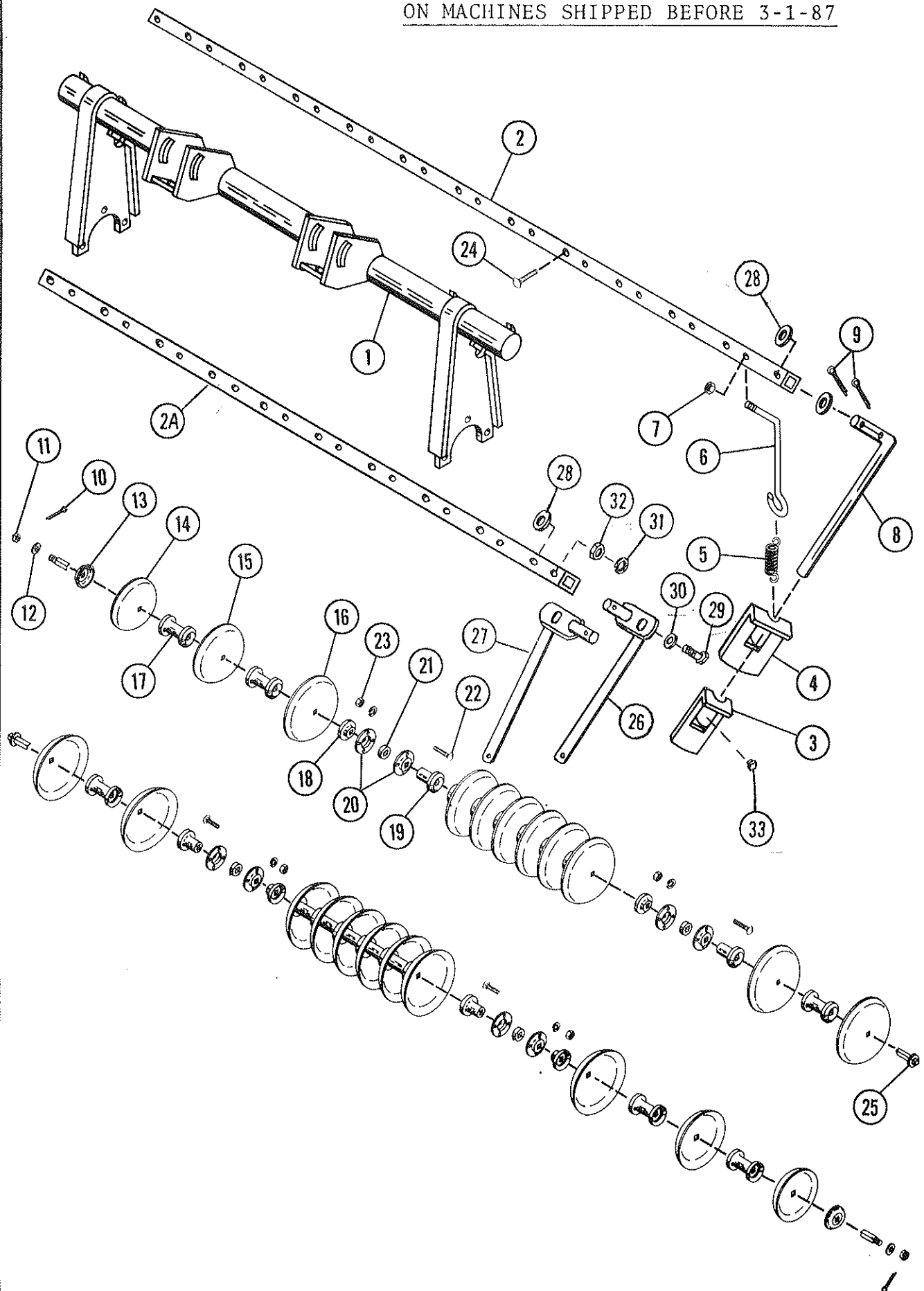


HITCH ASSEMBLY				
Index No.	Part No.	Description	No. Used	Weight
1	6D-333	Hose Holder	1	1.8
2	5C-460	Capscrew, 5/8 x 2" Long	1	.2
3	1C-122	Flat Washer	1	-
4	1C-392	Nut, 5/8"	1	-
	1B-166	Lockwasher, 5/8"	1	-
5	3J-891	Drawbar Weldment	1	170.0
6	2J-776	Hitch Casting	1	26.0
7	2J-777	Machine Bolt, 1-1/4 x 8" Long	1	3.0
8	2J-783	Nut, 1-1/4" Lock	1	.2
9	4D-100	Pin	1	1.7
10	1C-869	Cotter Pin	2	-
11	2J-830	L.H. Rod Screw	1	4.7
12	2J-764	Brace Rod	1	26.5
13	2J-766	Nut, 1-1/4" Jam	1	.1
14	2J-765	R.H. Rod Screw	1	3.1
15	8D-590	Rod	1	1.1
16	7C-940	Roll Pin	2	-
17	5J-913	U-Bolt, 5/8"	2	1.0
18	1C-392	Nut, 5/8"	4	-
	1B-166	Lockwasher, 5/8"	4	-
19	6J-38	Angle	2	6.9
20	5D-110	Klik-Pin	1	.1
21	6D-529	Clevis Pin	1	.3
22	6J-652	Depth Gage	1	-
23	6J-658	Capscrew	1	-
24	6J-655	"T" Handle	1	.6
25	6J-40	Pin	2	3.4
26	2J-784	Klik-Pin	2	.2
27	5J-934	Front Lift Arm	1	61.0
28	3J-880	Drawbar Jack	1	19.0



DISK GANG MOUNTING				
Index No.	Part No.	Description	No. Used	Weight
1	6J-133	Disk Rockshaft - 6'		120.0
	6J-134	Disk Rockshaft - 3'		88.0
2	7D-583	Bearing Cap		5.3
3	8D-734	Bearing		4.5
4	6J-188	Capscrew, 5/8 x 5-11/16" Long (Special)	4	.5
5	1C-392	Nut, 5/8" Hex		-
6	6J-170	Bearing Bracket - 11" Long		8.2
	7J-881	Bearing Bracket - 10" Long		6.0
7	3C-222	Bolt, 5/8 x 6-1/2" Long		.6
8	6J-165	Bolt, 5/8 x 11" Long		1.0
9	6D-355	Bolt, 5/8 x 6" Long		.6
10	6J-166	Spring Bracket		21.7
11	6J-174	Inner Spring Plate		7.8
12	6J-175	Strap		1.0
13	6J-142	Coupler		5.9
14	6J-143	U-Bolt, 5/8"		2.7
15	6J-457	U-Bolt Clip		1.5
16	6J-146	Adjusting Bolt		2.6
17	6C-114	Nut, 3/4" Jam		-
18	6J-187	Carriage Bolt, 3/4 x 5-1/2" Long		.8
19	1C-210	Nut, 3/4" Hex		.1
	1C-211	Lockwasher, 3/4"		-
20	1C-133	Flat Washer, 3/4"		
21	6J-460	Spring - Outer		4.0
22	6J-461	Spring - Inner (Sometimes Required)		1.3
23	6J-459	Cap		1.0
24	6J-458	Strap		.4
25	5C-461	Lock Nut, 5/8"		-
26	7J-880	Strap, 1/2 x 2 x 7" Long		1.9
27	7J-900	Strap, 5/8 x 7" Long		2.4
*	9C-59	Bolt, 5/8 x 7" Long		.7
		* Not Shown		

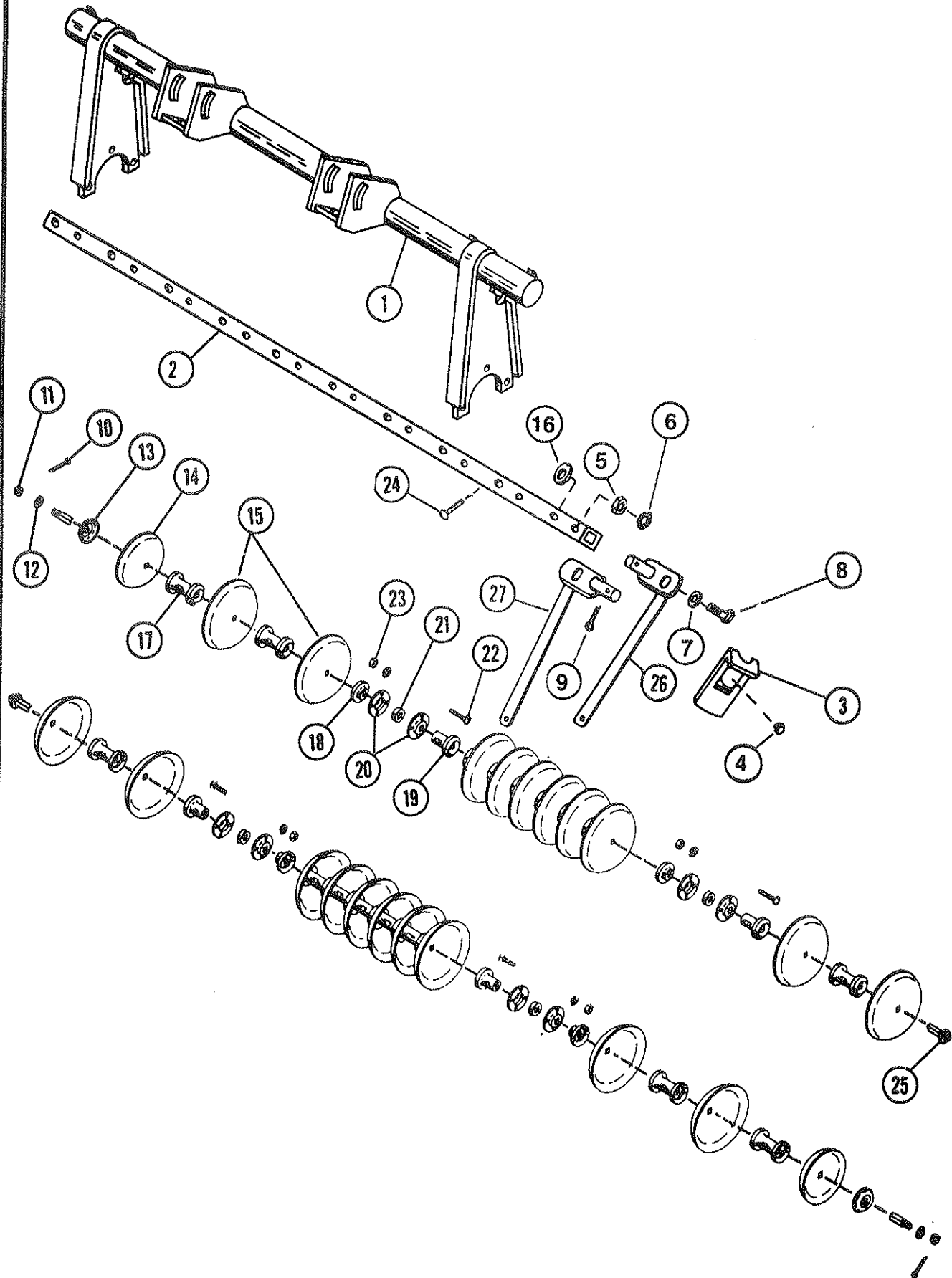
ON MACHINES SHIPPED BEFORE 3-1-87



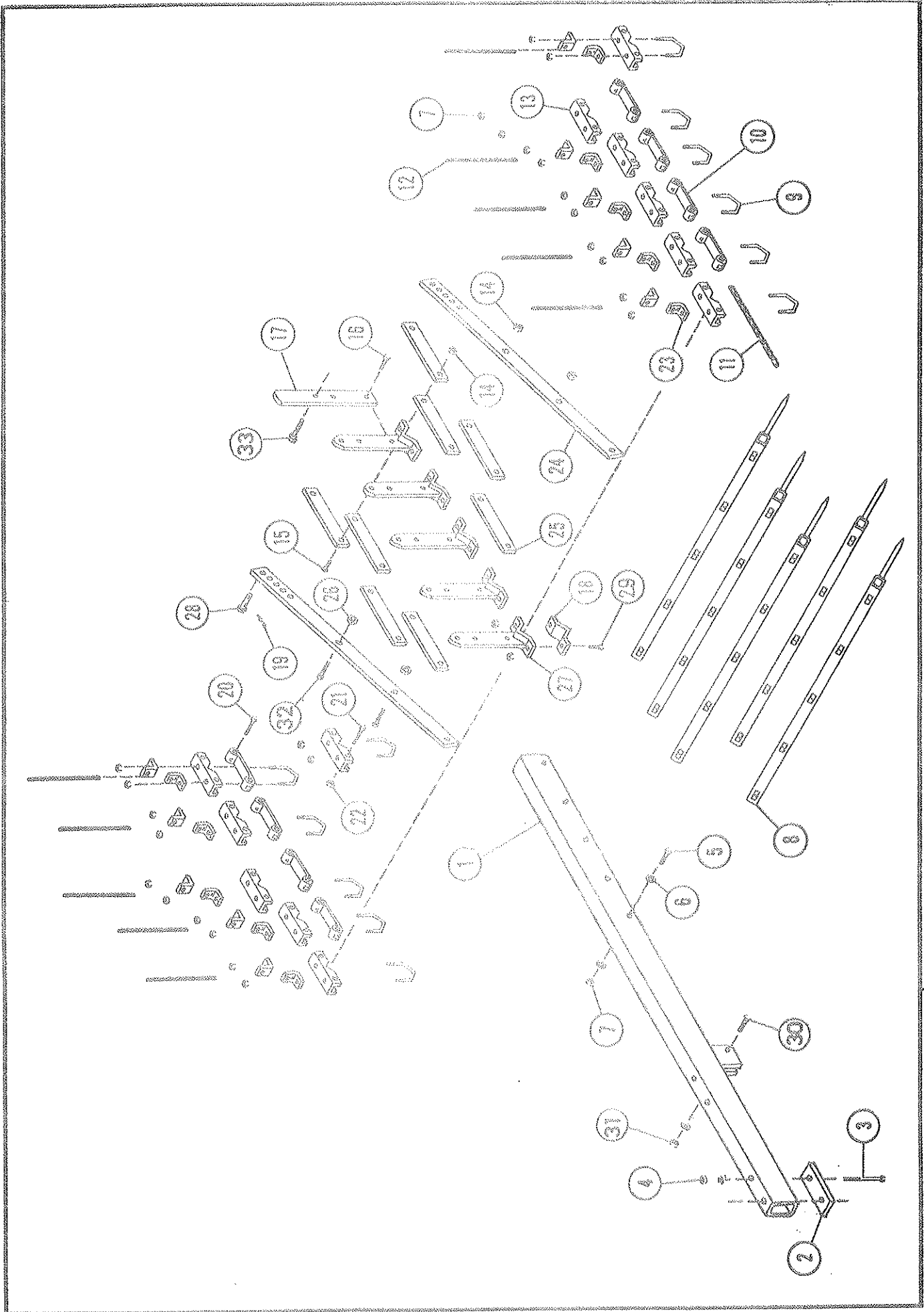
DISK GANG ASSEMBLY
(Machines Shipped Before 3/1/87)

Index No.	Part No.	Description	No. Used	Weight
1	6J-133	Disk Rockshaft - 6'		120.0
	6J-134	Disk Rockshaft - 3'		88.0
2	6J-135	Scraper Bar - 35-3/4" Long	On Machines Shipped Before Jan. 1, 1984	11.0
	6J-136	Scraper Bar - 50-3/4" Long		15.6
	6J-137	Scraper Bar - 73-1/4" Long		22.6
	6J-138	Scraper Bar - 88-1/4" Long		27.2
2A	7J-171	Scraper Bar - 35" Long		On Machines Shipped After Jan. 1, 1984
	7J-172	Scraper Bar - 50" Long	15.4	
	7J-173	Scraper Bar - 70-1/4" Long	21.6	
	7J-174	Scraper Bar - 85-1/4" Long	26.3	
3	6J-598	Scraper		1.3
4	6J-147	Scraper		1.9
5	4C-264	Spring	On Machines	.2
6	6J-186	Eye Bolt	Shipped Before	.1
7	6J-150	Flanged Lock Nut	Jan. 1, 1984	-
8	6J-148	Scraper Arm		1.8
9	1C-788	Cotter Pin		-
10	6D-49	Cotter Pin		-
11	2J-716	Slotted Nut, 1-1/2"		.2
12	7D-795	Washer, 1-1/2"		.1
13	6J-57	End Washer		3.6
14	6J-56	End Disk		8.8
15	6J-593	Disk, 18"		12.6
16	6J-55	Disk		15.6
17	5J-863	Spool		18.5
18	5J-862	Spool, Concave		7.0
19	5J-861	Spool, Convex		11.4
20	3J-132	Bearing Flange		.7
21	3J-131	Bearing		2.8
22	6C-347	Carriage Bolt, 1/2 x 1-1/4" Long		.1
	2C-675	Carriage Bolt, 1/2 x 1-1/2" Long		.1
23	1C-390	Nut, 1/2"		-
	1C-109	Lockwasher, 1/2"		-
24	8C-679	Carriage Bolt, 1/2 x 2-1/2" Long		.2
25	6J-53	Shaft Weldment, 38-1/4" Long		25.8
	6J-62	Shaft Weldment, 48-3/4" Long		32.5
	6J-54	Shaft Weldment, 71-1/4" Long		48.8
	6J-64	Shaft Weldment, 86-1/4" Long		56.4
26	7J-169	L.H. Scraper Arm	On Machines Shipped After Jan. 1, 1984	2.0
27	7J-170	R.H. Scraper Arm		2.0
28	2C-458	Flat Washer, 3/4" SAE		-
29	5D-667	Capscrew, 3/8 x 2-1/2" Long		.1
30	1C-182	Flat Washer, 3/8"		-
31	1C-183	Lockwasher, 3/8"		-
32	1C-277	Nut, 3/8"		-
33	7J-176	Sq. Head Set Screw	-	

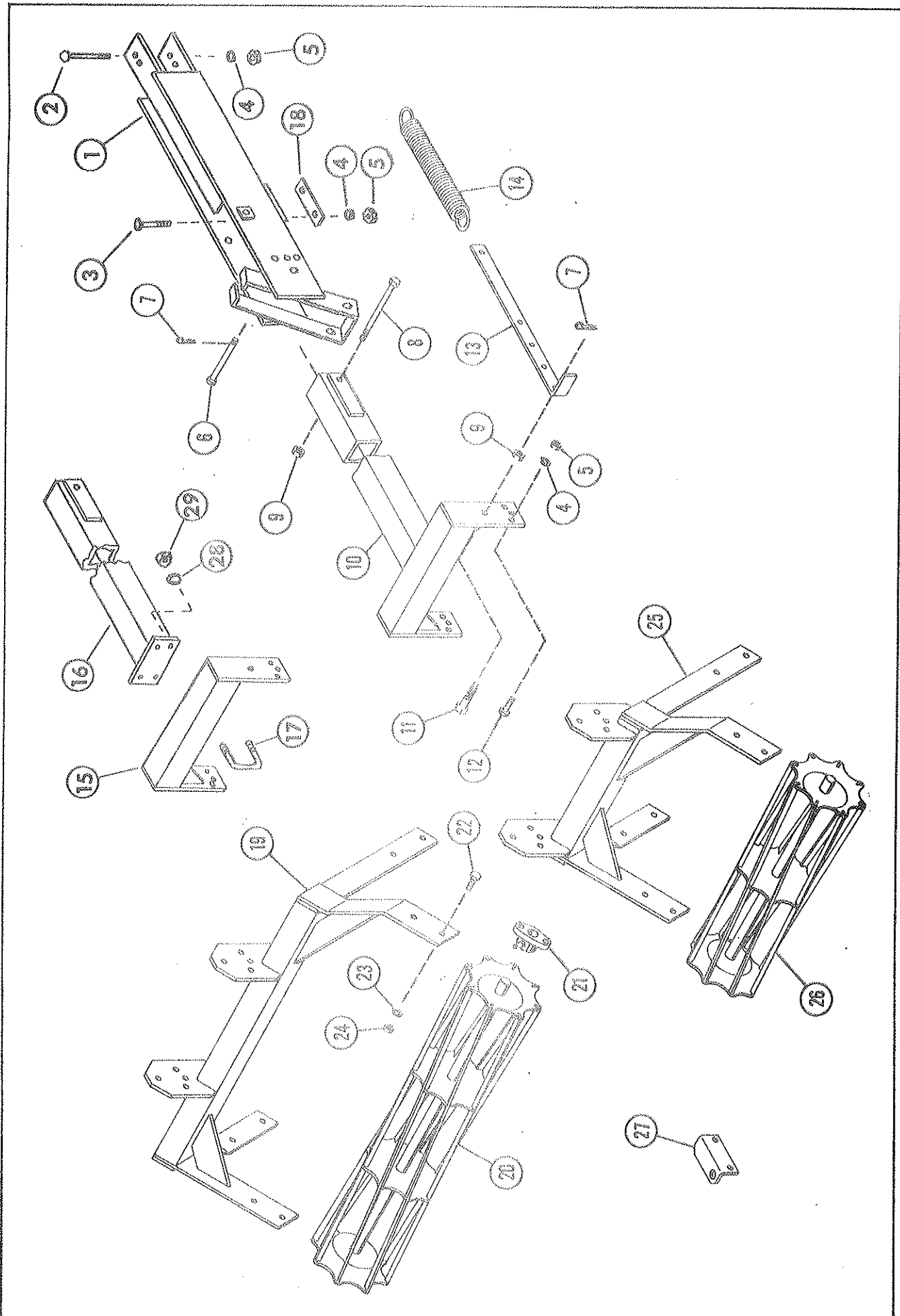
ON MACHINES SHIPPED AFTER 3-1-87



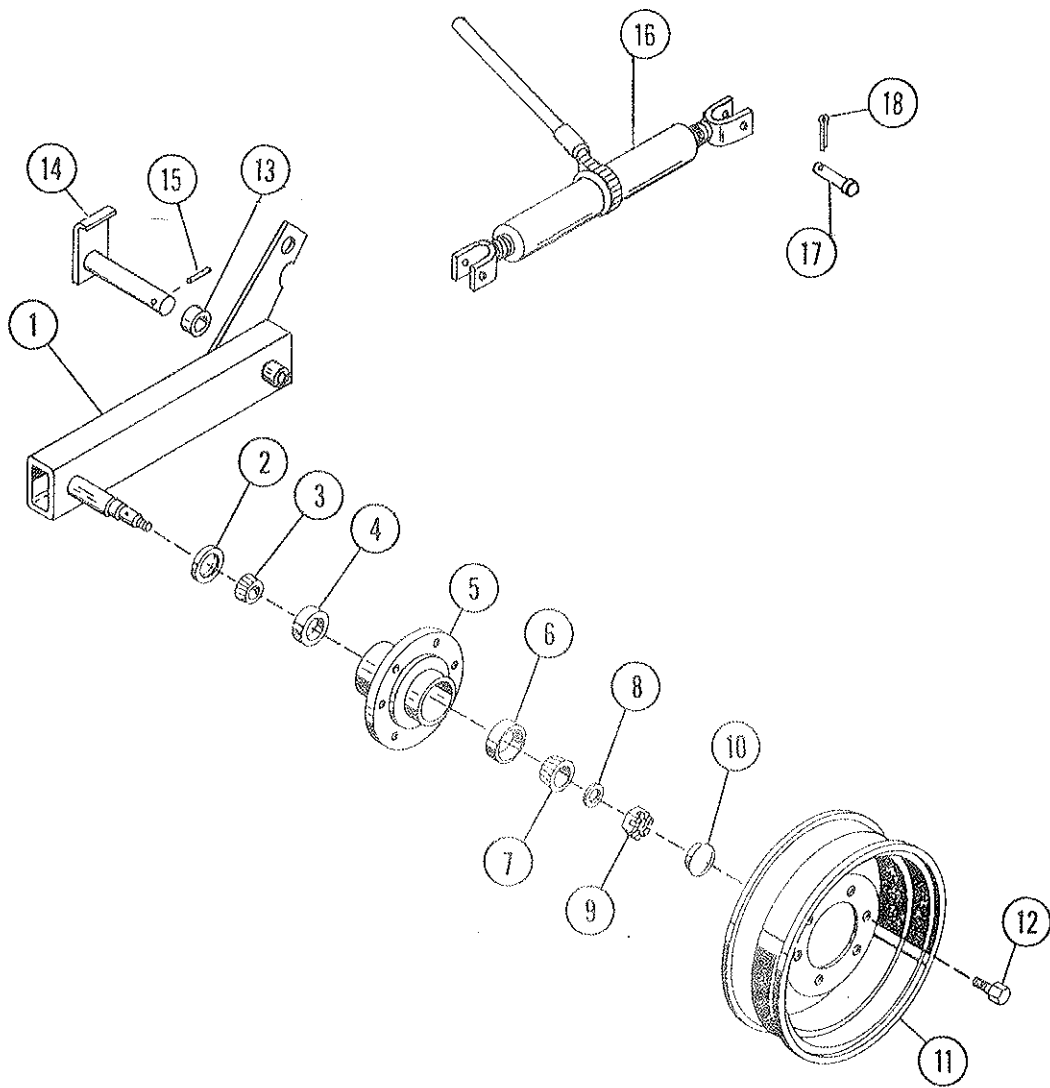
DISK GANG ASSEMBLY (Machines Shipped After 3/1/87)			
Index No.	Part No.	Description	Weight
1	6J-133	Disk Rockshaft - 6'	120.0
	6J-134	Disk Rockshaft - 3'	88.0
2	7J-889	Scraper Bar - 42 1/2" Long	13.1
	7J-172	Scraper Bar - 50" Long	15.4
	7J-907	Scraper Bar - 65 3/8" Long	20.1
	7J-927	Scraper Bar - 77 3/4" Long	23.9
3	6J-598	Scraper	1.3
4	7J-176	Sq. Head Set Screw	-
5	1C-277	Nut, 3/8"	-
6	1C-183	Lock Washer, 3/8"	-
7	1C-182	Flat Washer	-
8	5D-667	Capscrew, 3/8 x 2 1/2" Long	.1
9	1C-788	Cotter Pin	-
10	6D-49	Cotter Pin	-
11	2J-716	Slotted Nut, 1 1/2"	.2
12	7D-795	Washer, 1 1/2"	.1
13	6J-57	End Washer	3.6
14	6J-56	End Disk - 16"	8.8
15	6J-593	Disk - 18"	12.6
16	2C-458	Flat Washer, 3/4" SAE	-
17	5J-863	Spool	18.5
18	5J-862	Spool, Concave	7.0
19	5J-861	Spool, Convex	11.4
20	3J-132	Bearing Flange	.7
21	3J-131	Bearing	2.8
22	6C-347	Carriage Bolt, 1/2 x 1 1/4" Long	.1
	2C-675	Carriage Bolt, 1/2 x 1 1/2" Long	.1
23	1C-390	Nut, 1/2"	-
	1C-109	Lock Washer, 1/2"	-
24	8C-679	Carriage Bolt, 1/2 x 2 1/2" Long	.2
25	7J-886	Shaft Weldment, 36 13/16" Long	25.0
	6J-62	Shaft Weldment, 48 3/4" Long	32.5
	7J-896	Shaft Weldment, 63 3/4" Long	42.0
	7J-921	Shaft Weldment, 78 3/4" Long	51.4
26	7J-169	L.H. Scraper Arm	2.0
27	7J-170	R.H. Scraper Arm	2.0



DRAG BAR ASSEMBLY				
Index No.	Part No.	Description	No. Used	Weight
1	6J-989	Support Tube		71.6
2	6J-130	Strap		1.5
3	5D-366	Machine Bolt, 5/8 x 8-1/2" Long		.8
4	1C-392	Nut, 5/8"		-
	1B-166	Lockwasher		-
5	8C-528	Capscrew, 1/2 x 3" Long		.3
6	1C-120	Flat Washer, 1/2"		-
7	1C-390	Nut, 1/2"		-
	1C-109	Lockwasher, 1/2"		-
8	7J-102	Spike Bar Assembly (11 Spikes)		58.3
	6J-590	Spike Bar Assembly (10 Spikes)		52.8
	6J-589	Spike Bar Assembly (9 Spikes)		47.3
	6J-588	Spike Bar Assembly (7 Spikes)		36.3
	6J-587	Spike Bar Assembly (5 Spikes)		25.3
9	6J-604	Clamp Bolt, 1/2"		.6
10	6J-601	Drag Link		.7
11	6J-600	Chain		1.8
12	6J-599	Chain		.9
13	6J-603	Channel		1.3
14	5C-461	Lock Nut, 5/8"		-
15	2C-404	Capscrew, 5/8 x 2-1/2" Long		.2
16	6C-421	Capscrew, 5/8 x 1-3/4" Long		.1
17	6J-608	Handle		2.4
18	6J-638	Clamp		1.5
19	4C-856	Hair Pin Cotter		-
20	6J-661	Capscrew, 1/2 x 2-1/2" Long (Special)		.2
21	3D-121	Capscrew, 1/2 x 5-1/2" Long		.3
22	5C-392	Lock Nut, 1/2"		-
23	6J-602	Chain Strap		.3
24	6J-610	Control Link		5.3
25	6J-612	10-1/2" Link		1.5
26	6J-609	Spacer		-
27	6J-614	Control Arm		5.5
28	8C-523	Clevis Pin		.1
29	1C-267	Capscrew, 1/2 x 1-1/2" Long		.1
30	4J-916	Capscrew, 7/16 x 1-1/2" Long		.1
31	1C-179	Nut, 7/16"		-
	1C-314	Lockwasher, 7/16"		-
32	2C-400	Capscrew, 5/8 x 2" Long		.2
33	1D-522	Capscrew, 5/8 x 2-1/4" Long		.2

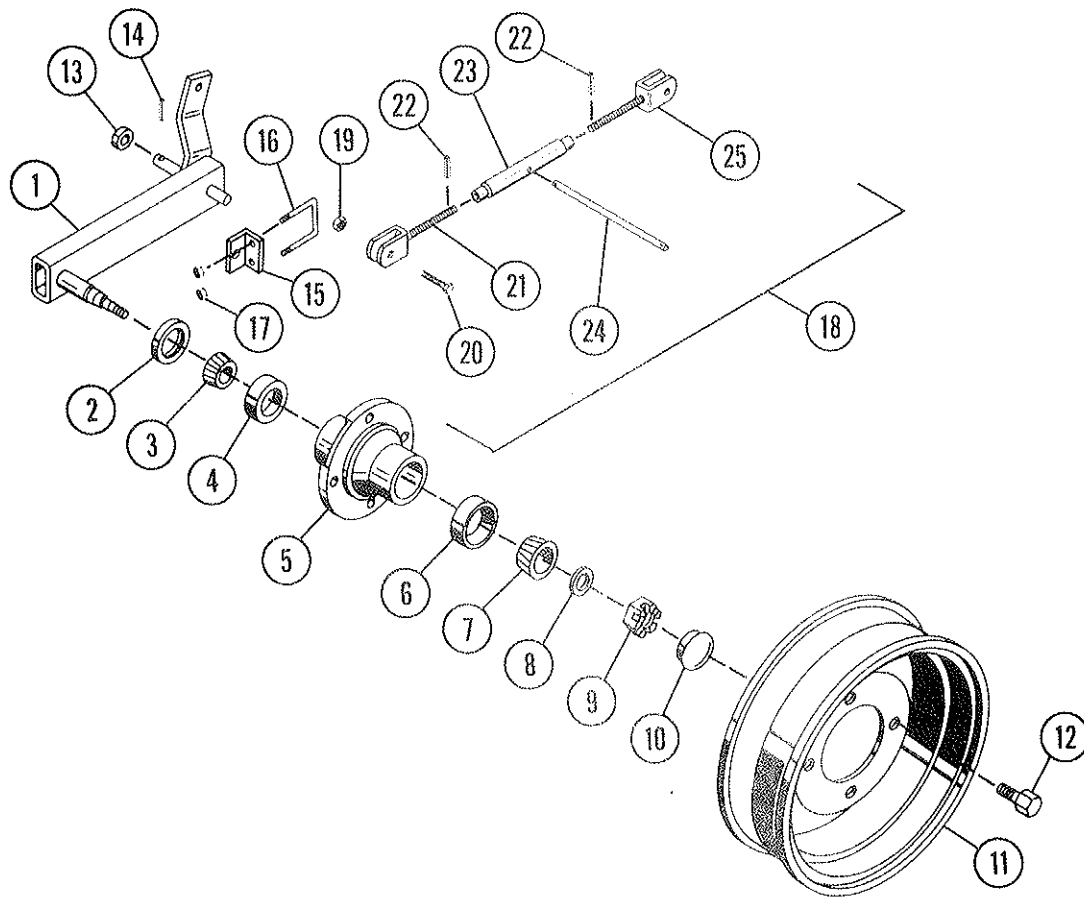


ROLLING HARROWS				
Index No.	Part No.	Description	No. Used	Weight
1	6J-196	Basket Bracket		53.0
2	3D-121	Capscrew, 1/2 x 5-1/2" Long		.3
3	4J-527	Carriage Bolt, 1/2 x 4-1/2" Long		.3
4	1C-109	Lockwasher, 1/2" Std.		-
5	1C-390	Nut, 1/2" Hex		-
6	4J-919	Clevis Pin, 5/8 x 4-3/4" Long		.4
7	4C-856	Hairpin Cotter		-
8	4D-373	Capscrew, 5/8 x 5-1/2" Long		.5
9	5C-461	Lock Nut, 5/8" Hex		-
10	4J-904	Extension		37.0
11	4J-917	Capscrew, 5/8 x 2-1/4" Long (Special)		.2
12	8C-527	Capscrew, 1/2 x 1-1/2" Long, Grade 5		.1
13	4J-920	Spring Handle		2.6
14	4D-242	Extension Spring		1.3
15	6J-227	Extension Bracket - 18' & 21' Machines		15.0
16	6J-226	Extension Tube - 18' & 21' Machines		28.5
17	4J-411	U-Bolt, 5/8" - 18' & 21' Machines		.9
18	4J-528	Strap		1.0
19	4J-912	Long Harrow Frame - 12', 15', 18', 21' Machines		42.0
20	4J-914	Long Harrow Reel - 12', 15', 18', 21' Machines		36.5
21	4J-581	Bearing, 1" (Includes Housing & Collar)		1.7
	5J-337	Bearing & Collar (Less Housing)		.5
22	4J-916	Capscrew, 7/16 x 1-1/2" Long, Grade 5		.1
23	1C-314	Lockwasher, 7/16" Std.		-
24	1C-179	Nut, 7/16" Hex		-
25	4J-913	Short Harrow Frame - 18' & 21' Machines		34.0
26	4J-915	Short Harrow Reel - 18' & 21' Machines		23.3
27	4J-985	Rock Shield (Optional)		.7
28	1B-166	Lockwasher, 5/8" Std.		-
29	1C-392	Nut, 5/8" Hex		-
		Note: Rolling Harrows May be Ordered Assembled In Frames As Follows:		
	4J-905	Long Harrow Assembly (Includes Items 19 Thru 24)		119.0
	4J-906	Short Harrow Assembly (Includes Items 21 Thru 26)		85.0



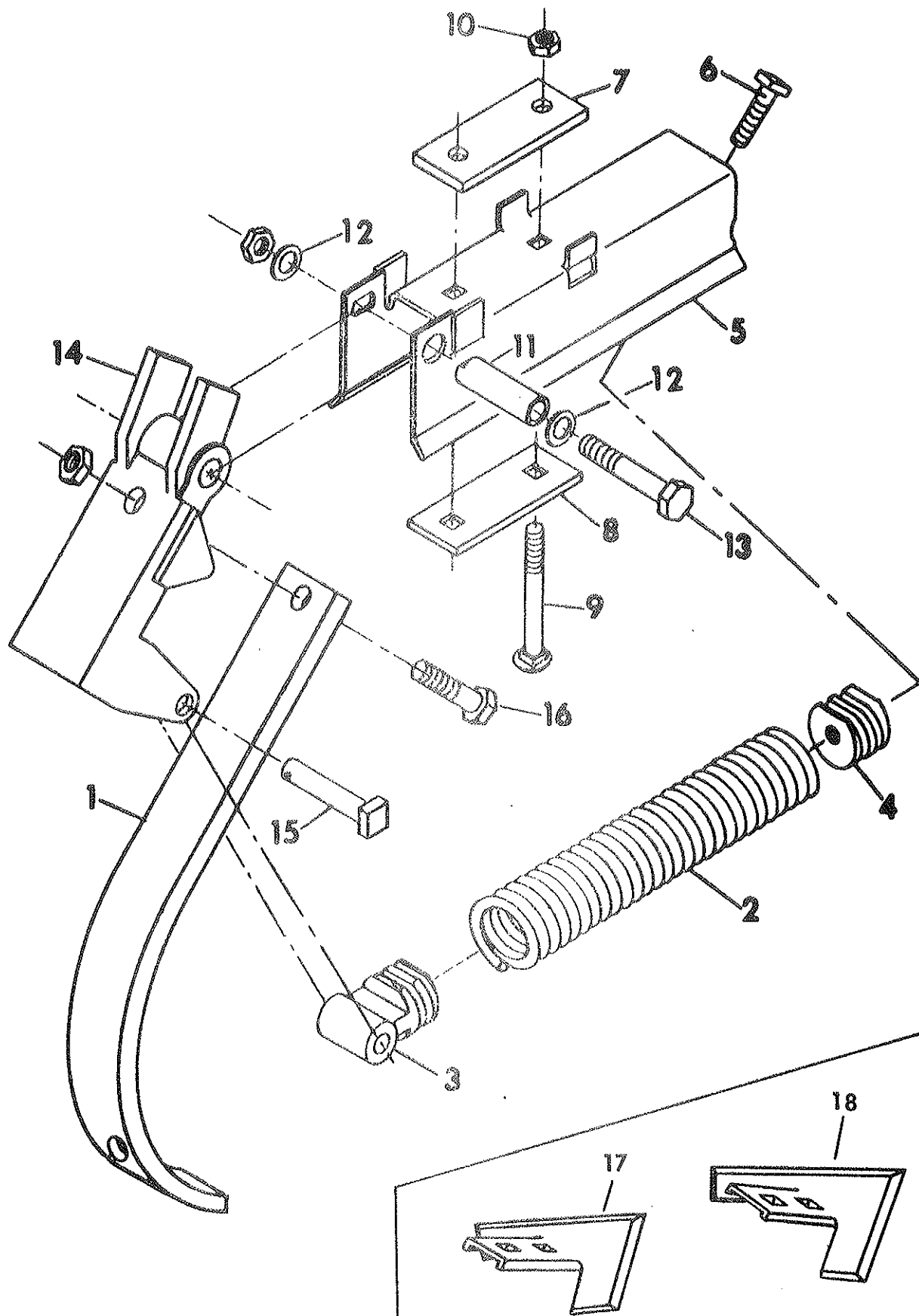
GAGE WHEEL ASSEMBLY (18' & 21' MACHINES)
Used On Machines After July 1, 1984

Index No.	Part No.	Description	No. Used	Weight
1	7J-190	Wheel Arm, R.H. (Shown)	1	38.5
	7J-191	Wheel Arm, L.H. (Opposite)	1	38.5
2	5C-910	Seal	2	.1
3	5C-913	Bearing Cone #LM67048	2	.3
4	5C-914	Bearing Cup #LM67010	2	.3
5	5C-904	Wheel Hub	2	6.3
6	5C-912	Bearing Cup #LM11910	2	.2
7	5C-911	Bearing Cone #LM11949	2	.2
8	5C-907	Flat Washer	2	-
9	5C-909	Slotted Nut	2	.2
10	5C-908	Hub Cap	2	.7
11	5C-916	Wheel	2	16.0
12	5C-100	Wheel Bolt	8	.1
13	4J-548	Machinery Bushing, 1-1/4"	6	-
14	7J-463	Pin Assembly	2	3.0
15	4C-858	Roll Pin, 5/16 x 2" Long	2	-
16	7J-237	Ratchet Jack	1	15.0
17	8D-099	Clevis Pin	2	-
18	6C-468	Cotter Pin	2	-



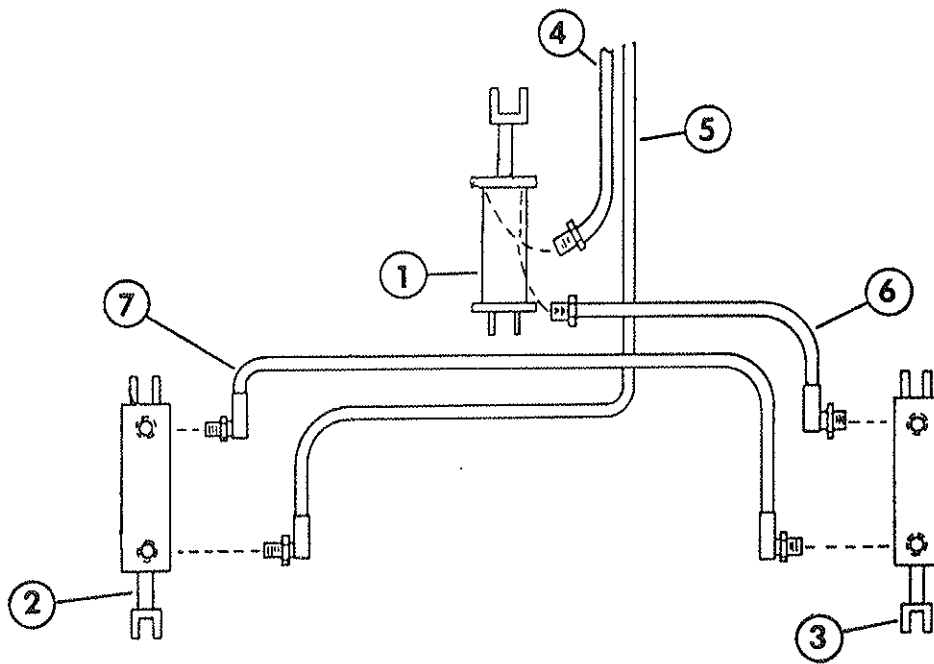
GAGE WHEEL ASSEMBLY (18' & 21' MACHINES)

Index No.	Part No.	Description	No. Used	Weight
		Used Before July 1, 1984		
1	6J-929	Wheel Arm & Spindle L.H. (Shown)	1	26.0
	6J-930	Wheel Arm & Spindle R.H. (Opposite)	1	26.0
2	5C-910	Seal	2	.1
3	5C-913	Bearing Cone #LM67048	2	.3
4	5C-914	Bearing Cup #LM67010	2	.3
5	5C-904	Wheel Hub	2	6.3
6	5C-912	Bearing Cup #LM11910	2	.2
7	5C-911	Bearing Cone #LM11949	2	.2
8	5C-907	Flat Washer	2	-
9	5C-909	Slotted Nut	2	.2
10	5C-908	Hub Cap	2	.7
11	5C-916	Wheel	2	16.0
12	5C-100	Wheel Bolt	8	.1
13	4J-548	Machinery Bushing, 1-1/4"	6	-
14	2D-894	Roll Pin, 1/4 x 2" Long	2	-
15	6J-38	Angle	2	6.8
16	6J-595	U-Bolt, 5/8"	2	.9
17	1C-392	Nut, 5/8"	4	-
	1B-166	Lockwasher, 5/8"	4	-
18	8D-591	Turnbuckle- Complete	2	9.5
19	6C-729	Lock Nut, 3/4"	4	.1
20	3D-510	Capscrew, 3/4 x 2-1/2" Long	4	.4
21	8D-602	L.H. Screw Assembly	2	2.7
22	7C-870	Roll Pin, 3/16 x 1-1/8" Long	4	-
23	8D-597	Turnbuckle Body	2	3.1
24	8D-590	Handle	2	1.1
25	8D-601	R.H. Screw Assembly	2	2.7

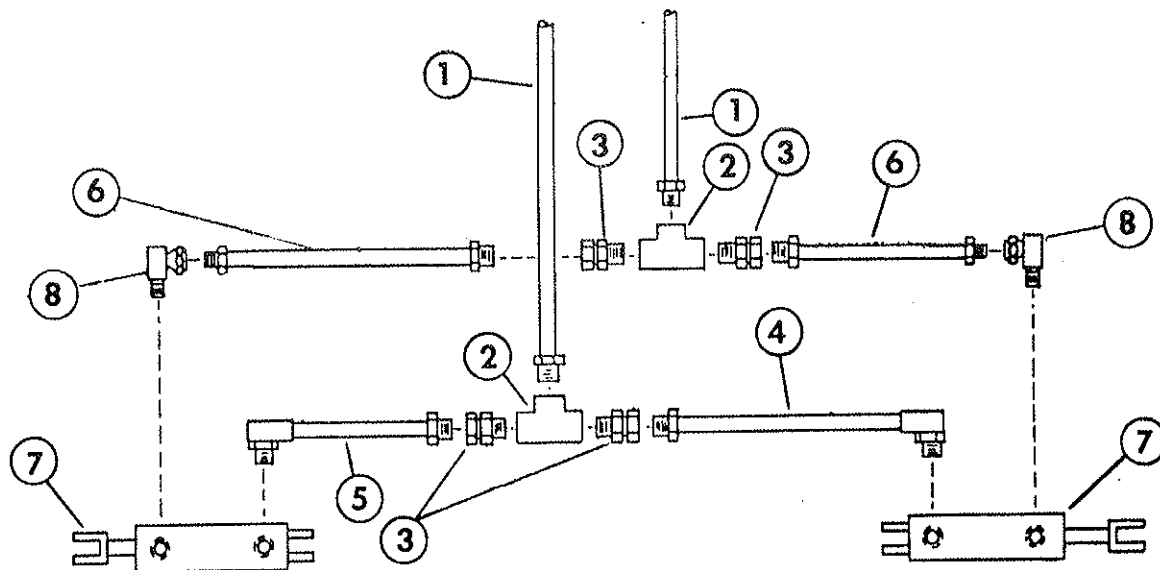


CULTIVATOR TOOTH ASSEMBLY

Index No.	Part No.	Description	No. Used	Weight
1	2J-143	Cultivator Tooth	1	6.2
2	8D-219	Extension Spring	1	4.6
3	8D-220	Spring Plug	1	1.1
4	8D-221	Spring Plug	1	.5
5	4J-578	Spring Holder	1	4.3
6	8D-349	Bolt, 1/2 x 3-1/4" Long (Special)	1	.3
7	5J-358	Strap	1	1.0
8	4J-529	Strap	1	.4
9	4J-527	Carriage Bolt, 1/2 x 4-1/2" Long (Grade 5)	2	.3
10	5C-392	Lock Nut, 1/2" Hex	4	-
11	9D-19	Bushing	1	.4
12	9C-134	Flat Washer, 1/2" S.A.E.	2	-
13	5D-871	Capscrew, 1/2 x 3-1/2" Long (Grade 5)	1	.3
14	8D-223	Tooth Clamp	1	6.8
15	8D-302	Pin, 1/2 Dia. x 3" Long, Sq. Hd.	1	.3
	2C-864	Cotter Pin, 1/8 Dia. x 1" Long	1	-
16	1D-237	Capscrew, 1/2 x 2" Long (Grade 5)	2	.2
17	4J-808	7" Full Sweep (Optional)	1	1.4
18	6J-369	10" Full Sweep (Optional)	1	1.6
	8D-301	Plow Bolt, 7/16 x 1-1/2" Long, #3 Head	2	.1
	1C-314	Lockwasher, 7/16" Std.	2	-
	1C-179	Nut, 7/16" Hex	2	-

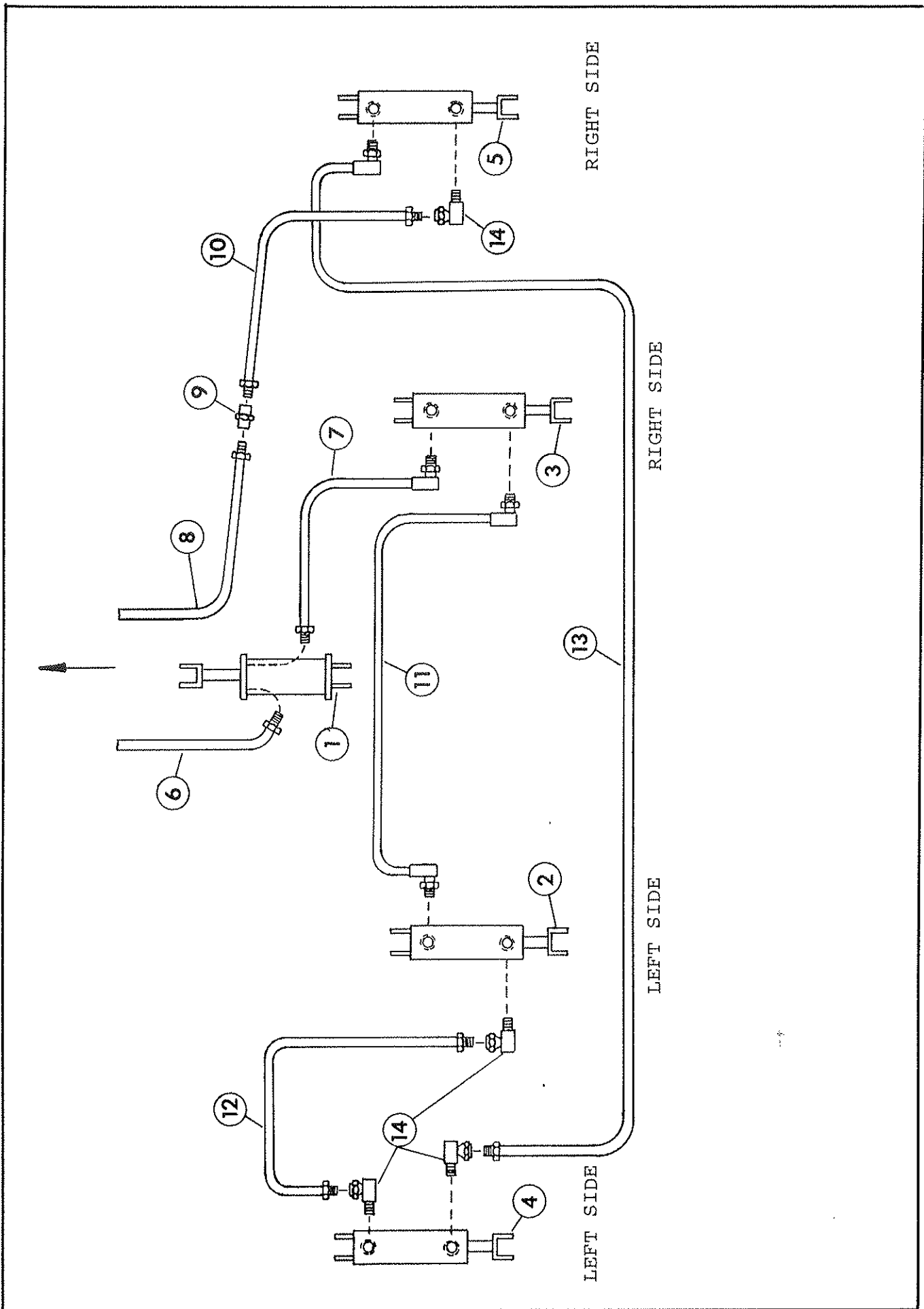


FOR DEPTH CONTROL



FOR WING FOLD

"DEPTH CONTROL" HYDRAULICS (12', 15' 18' & 21' MACHINES)				
Index No.	Part No.	Description	No. Used	Weight
1	9J-482	Hydraulic Cylinder (replaces 6J-011 & 8J-782)	1	61.0
2	9J-483	Hydraulic Cylinder (replaces 6J-012 & 8J-783)	1	43.0
3	9J-484	Hydraulic Cylinder (replaces 4J-661 & 8J-784)	1	42.0
4	6D-725	Hydraulic Hose, 180"	1	6.9
5	8D-158	Hydraulic Hose, 252"	1	9.8
6	9D-764	Hydraulic Hose, 96"	1	4.0
7	6J-344	Hydraulic Hose, 140"	1	5.5
"WING FOLD" HYDRAULICS (18' & 21' MACHINES)				
1	6J-725	Hydraulic Hose, 180"	2	6.9
2	4D-982	Tee Fitting, 1/2" N.P.T.	2	.3
3	6D-716	Flow Restrictor, 1/16" Orifice	4	.3
4	2D-448	Hydraulic Hose, 48"	1	2.3
5	3J-543	Hydraulic Hose, 42"	1	2.0
6	4D-980	Hydraulic Hose, 66"	2	2.8
7	9D-524	Hydraulic Cylinder	2	33.0
8	1J-131	90° Swivel Fitting	2	.3



"DEPTH CONTROL WITH WING GAGE WHEEL" HYDRAULICS (18' & 21' MACHINES)

Index No.	Part No.	Description	No. Used	Weight
1	9J-482	Hydraulic Cylinder (replaces 6J-011 & 8J-782)	1	61.0
2	9J-483	Hydraulic Cylinder (replaces 6J-012 & 8J-783)	1	43.0
3	9J-484	Hydraulic Cylinder (replaces 4J-661 & 8J-784)	1	42.0
4	9J-480	Hydraulic Cylinder (replaces 7J-194)	1	31.0
5	9J-481	Hydraulic Cylinder (replaces 7J-195)	1	30.0
6	6D-725	Hydraulic Hose, 180"	1	6.9
7	9D-764	Hydraulic Hose, 96"	1	4.0
8	9D-303	Hydraulic Hose, 138"	1	5.4
9	4J-553	Pipe Coupling	1	.3
10	3J-547	Hydraulic Hose, 160"	1	6.2
11	6J-344	Hydraulic Hose, 140"	1	5.5
12	9D-765	Hydraulic Hose, 72"	1	2.5
13	8D-158	Hydraulic Hose, 252"	1	9.8
14	1J-131	90 Swivel Fitting	4	.3

CYLINDER IDENTIFICATION

1. Determine style of cylinder. Welded construction or tie rod construction. Tie rod construction has four long bolts running the length of the cylinder to hold the cylinder together. Welded construction has base welded to the tube.
2. Determine size of cylinder - completely retract cylinder measure distance from center of one attaching pin to other attaching pin. Measure outside diameter of tube and subtract $3/8''$ or $1/2''$ to get even dimension. The cylinder diameter is in even sizes - $3''$, $3-1/2''$, $4''$. So a tube that measures $3-7/8''$ O.D. is a $3-1/2''$ cylinder. Series cylinders are an exception, and are usually sized in $1/4''$ increments such as $5''$, $4-3/4''$, $4-1/2''$, etc.
3. Measure rod size.
4. Look in index of this book to find machine used and location of cylinder on machine. Turn to the particular cylinder and find cylinder type. Check cylinder size, retracted length and rod size. When all these items check, the cylinder is identified.

Study cylinder construction, these drawings reflect as accurately as possible the actual construction of the cylinder.

HYDRAULIC CYLINDER USAGE INDEX

		<u>Page No.</u>
6D-138	Wing Raising on STS & STR Harrows	3
6D-724	Wing Raising on HSD-360 Harrow	
	Machine Raising WP-108, WPW-128 Pulverizer	4
9D-137	Folding Toolbar BRSF & BSFF Ro-Crop Cultivator	
	Folding Toolbar BRCF-6402, BRCF-8302, BRCF-8402	
	Wing Raising on Soil Builder (15 & 17 Shank)	
	Folding Toolbar BCFF Ro-Crop Cultivator	
	Machine Raising X-108 Pulverizer	5
9D-282	Hitch Cylinder WM-2601 & 3001, WM-2602 & 3002	
	Machine Raising Kit on SST-961, SST-1201 & SSLFT-120	6
9D-327	Folding Toolbar BRSF-12302 Ro-Crop Cultivator	7
9D-524	Wing Raising WM-2601	
	Machine Raising WM-2601 Beginning 8/1/76, WM-3002	
	Machine Raising on ML Mulcher	
	Wing Raising WP-108, WPW-128 Pulverizer	
	Machine Raising XL-144 Pulverizers	
	Wing Raising (SG-24 to SG-30) Soil Groomer	8-9
9D-731	Wing Raising WM-3001, WM-3002 Mulcher	
	Machine Raising WM-3001, Beginning 8/1/76, WM-3002	
	Machine Raising WM-360	10
9D-762	SST-144 Seeder	11
2J-674	Machine Raising on Soil Builder (5-11 Shank)	12-13
3J-567	Hitch Cylinder WM-360	14
3J-568	Wing Raising WM-360	15
3J-603	Tooth Depth Control WM-360	16
	Machine Raising on Flail Shredder	
3J-815	Machine Raising on FCF Field Cultivator	17-18
3J-816	Machine Raising on FCF Field Cultivator	19-20
3J-817	Machine Raising on FCF Field Cultivator	21-22
3J-818	Wing Raising on FCF Field Cultivator	23
4J-657	Wing Raising on Cultivator-Incorporator	24
4J-658	Machine Raising on Cultivator-Incorporator	
	Machine Raising on (SG-24 to SG-30) Soil Groomer	25
4J-659	Machine Raising on Cultivator-Incorporator	
	Machine Raising on (SG-24 to SG-30) Soil Groomer	26
4J-660	Machine Raising on Cultivator-Incorporator	
	Machine Raising on (SG-24 to SG-30) Soil Groomer	27
4J-661	Machine Raising on Cultivator-Incorporator	
	Machine Raising on (SG-12 to SG-30 & SGH-24) Soil Groomer(Except SG-24)	28
5J-128	Machine Raising on Soil Builder (13, 15 & 17 Shank)	29
5J-280	Machine Raising on TPW Pulverizers	30-31
	Hydraulic Coulter Depth Control Option for Soil Builder (7-11 Shank)	
5J-830	Wing Raising on (XLW-120 & XLW-144) Pulverizer	32
5J-835	Same as 9D-524 BIW with Side Ports	
	Folding Tool Bar BCFF-1230 Ro-Crop Cultivator	
	Wing Raising WM-2602 Mulcher	
	Wing Raising (SG-18 to SG-21) Soil Groomer	8-9
6J-011	Machine Raising on (SG-12 to SG-21) Soil Groomer	33
6J-012	Machine Raising on (SG-12 to SG-30 & SGH-24) Soil Grm.	34
6J-216	Wing Raising on (XLW-84 to XLW-108) Pulverizer	35

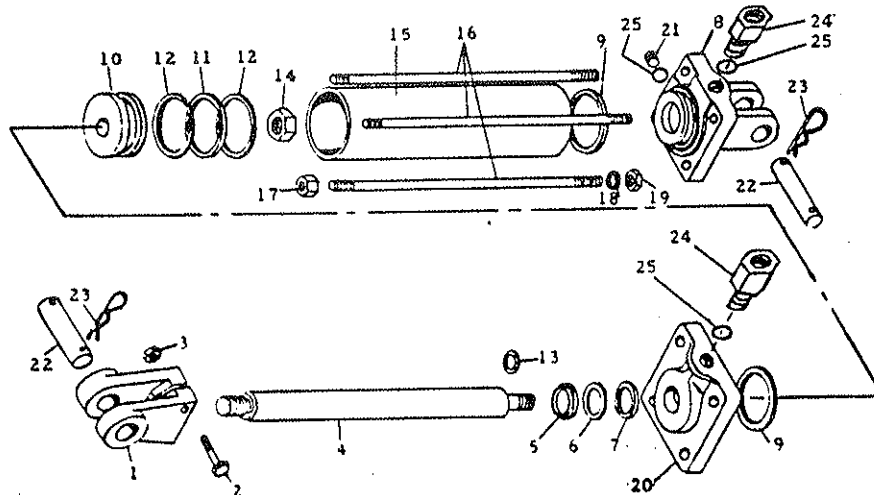
HYDRAULIC CYLINDER USAGE INDEX
(continued)

		<u>Page No.</u>
6J-811	Wing Raising on (XW-84 to XW-108) Pulverizer Wings	36
6J-812	Wing Raising on (XW-60 & XW-72) Pulverizer Wings	37
7J-194	Machine Raising on (SGH-18 & SGH-21) Soil Groomer	38
7J-195	Machine Raising on (SGH-18 & SGH-21) Soil Groomer	39
7J-680	Machine Raising on Extended Frame Soil Builders	40-40A
8J-782	Machine Raising on (SG-121 to SG-211) Soil Groomers, after 1-25-88	41
8J-783	Machine Raising on (SG-121 to SG-301 & SGH-241) Soil Groomers, after 1-25-88	42
8J-784	Machine Raising on (SG-121 to SG-301 & SGH-241, except SG-241) Soil Groomers, after 1-25-88	43
	Machine Raising, Cultivator-Incorporator after 1-25-88.	
8J-808	Machine Raising on (SG-241 to SG-301) Soil Groomers after 05/26/88	44
8J-874	Machine Raising on (SG-241 to SG-301) Soil Groomers, after 05/26/88	45
8J-875	Machine Raising on (SG-241 to SG-301) Soil Groomers, after 05/26/88	46
9J-440	Machine Raising on SS-10 Seeder	47
9J-480	Machine Raising on (SGH-18 & SGH-21) Soil Groomer	48
9J-481	Machine Raising on (SGH-18 & SGH-21) Soil Groomer	49
9J-482	Machine Raising on (SG-121 to SG-211) Soil Groomers, after 11/89	50
9J-483	Machine Raising on (SG-121 to SG-301 & SGH-241) Soil Groomers, after 11/89	51
9J-484	Machine Raising on (SG-121 to SG-301 & SGH-241, except SG-241) Soil Groomers, after 11/89	52
	Machine Raising, Cultivator-Incorporator after 11/89	
9J-485	Machine Raising on (SG-241 to SG-301) Soil Groomers after 11/89	53
9J-486	Machine Raising on (SG-241 to SG-301) Soil Groomers, after 11/89	54
9J-487	Machine Raising on (SG-241 to SG-301) Soil Groomers, after 11/89	55

<u>Code Letter</u>	<u>Manufacturer</u>
BIW	Brillion Iron Works
G	Hydraulic Gear
L	Lantex
P	Prince

9D-524 BIW Hydraulic Cylinder 3-1/2 x 16
 Painted Green
 1-3/8 Rod Dia., 26-1/4 Retracted, 42-1/4 Extended Length
5J-835 - Same except assembled with side ports.

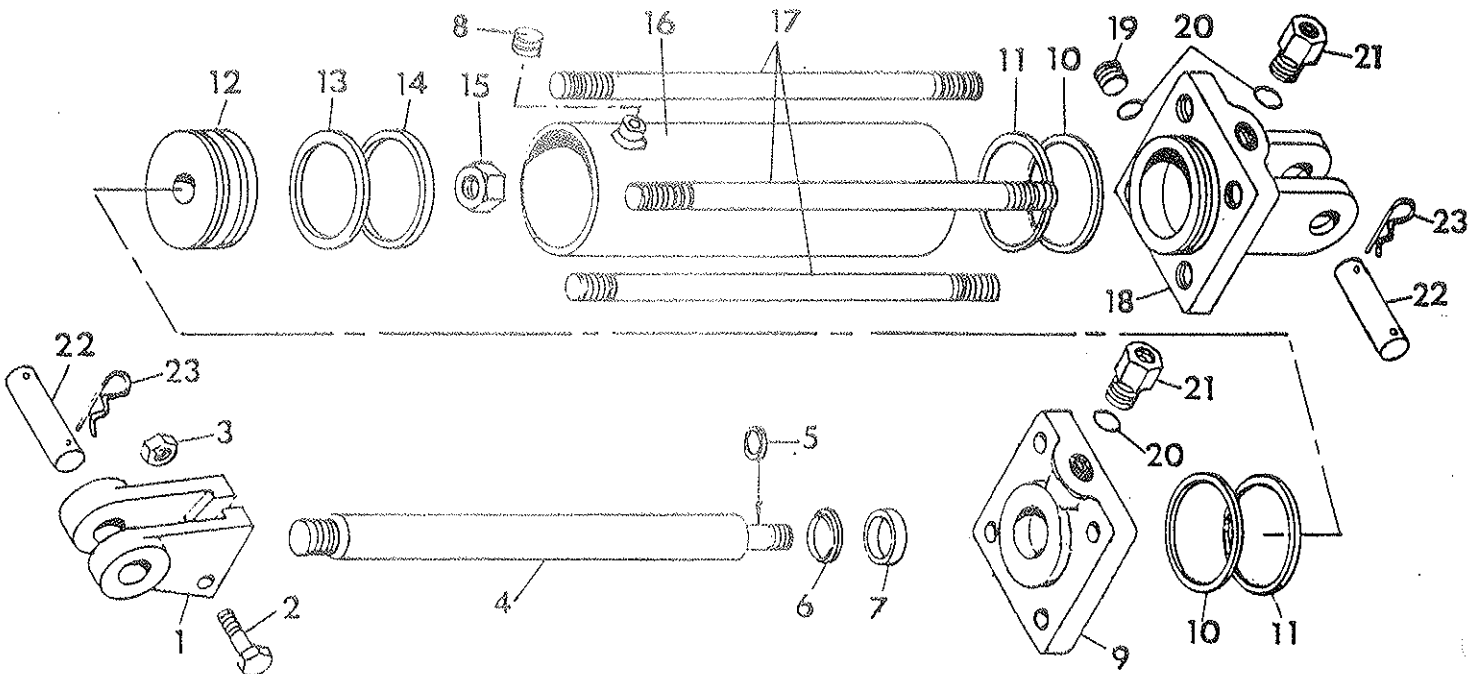
Item	Part No.	Description	Qty.
1	5J-195	Rod End Clevis	1
2	9D-797	Capscrew 5/16-18 NC x 2-1/4 Long	1
3	1C-385	Hex Nut 5/16-18 NC	1
4	5J-236	Rod	1
*5	5J-233	Rod Wiper	1
*6	5J-229	Back-Up Washer	1
*7	5J-228	"O" Ring Rod Packing	1
8	7J-29	Base (With Ports Requiring "O" Ring Fittings)	1
	5J-197	Base (Part No. on Casting With Pipe Thread) When this number is ordered you will receive (1) 7J-29, (2) 7J-24, (1) 7J-25 and (1) 7J-26	1
*9	5J-230	"O" Ring	2
10	5J-196	Piston	1
*11	5J-231	"O" Ring - Piston	1
*12	5J-232	Back-Up Washer	2
*13	5J-227	"O" Ring	1
14	6D-918	Piston Nut 3/4-16 NF Stover	1
15	5J-235	Tube	1
16	5J-226	Tie Rod	4
17	5C-392	Nut 1/2-13 NC Stover	4
18	1C-109	Lockwasher 1/2	4
19	1C-390	Hex Nut 1/2-13 NC	4
20	7J-28	Gland (With Port Requiring "O" Ring Fitting)	1
	5J-198	Gland (Part No. on Casting With Pipe Thread) When this number is ordered you will receive (1) 7J-28, (1) 7J-24 and (1) 7J-26	1
21	7J-25	Plug, "O" Ring Tupe (Without "O" Ring)	1
	5J-234	Plug, Pipe Thread (Used Prior to 8/83)	1
22	5J-650	Clevis Pin	2
23	1D-594	Hairpin Cotter	4
24	7J-26	Adaptor (Without "O" Ring)	2
25	7J-24	"O" Ring (Not a Part of 7J-25 & 7J-26)	3
*	5J-844	Seal Kit (Items Marked "**")	1



9J-480P Hydraulic Cylinder 3-1/2 x 8
 Prince #AJ-819 Painted Green
 1-1/4" Rod Dia., 20-1/4" Retracted, 28-1/4" Extended

Item	Part No.	Description	Qty.
1	9D-481	Rod End Clevis	1
2	9D-797	Capscrew, 5/16-18 NC x 2-1/4" Long	1
3	1C-385	Hex Nut, 5/16-18 NC	1
4	7J-378	Piston Rod	1
*5	NSS	O-Ring	1
*6	NSS	Rod Wiper	1
*7	NSS	U-Cup	1
8	9J-623	Plug	1
9	9J-630	Gland	1
*10	NSS	Back Up Washer	2
*11	NSS	O-Ring	2
12	9J-632	Piston	1
*13	NSS	Seal	1
*14	NSS	Bearing Ring	1
15	6C-750	Locknut, 7/8-14 NF	1
16	9J-631	Tube Assembly	1
17	3J-115	Tie Rod	4
18	7J-055	Base	1
19	7J-025	Level Seal Plug, O-Ring Type (without O-Ring)	2
20	7J-024	O-Ring (not a part of 7J-025 and 7J-026)	3
21	7J-026	Adaptor (without O-Ring)	2
22	5D-155	Clevis Pin	2
23	1D-594	Hairpin Clip	4
*	9J-635	PMCK-AJ-819 Seal Kit	

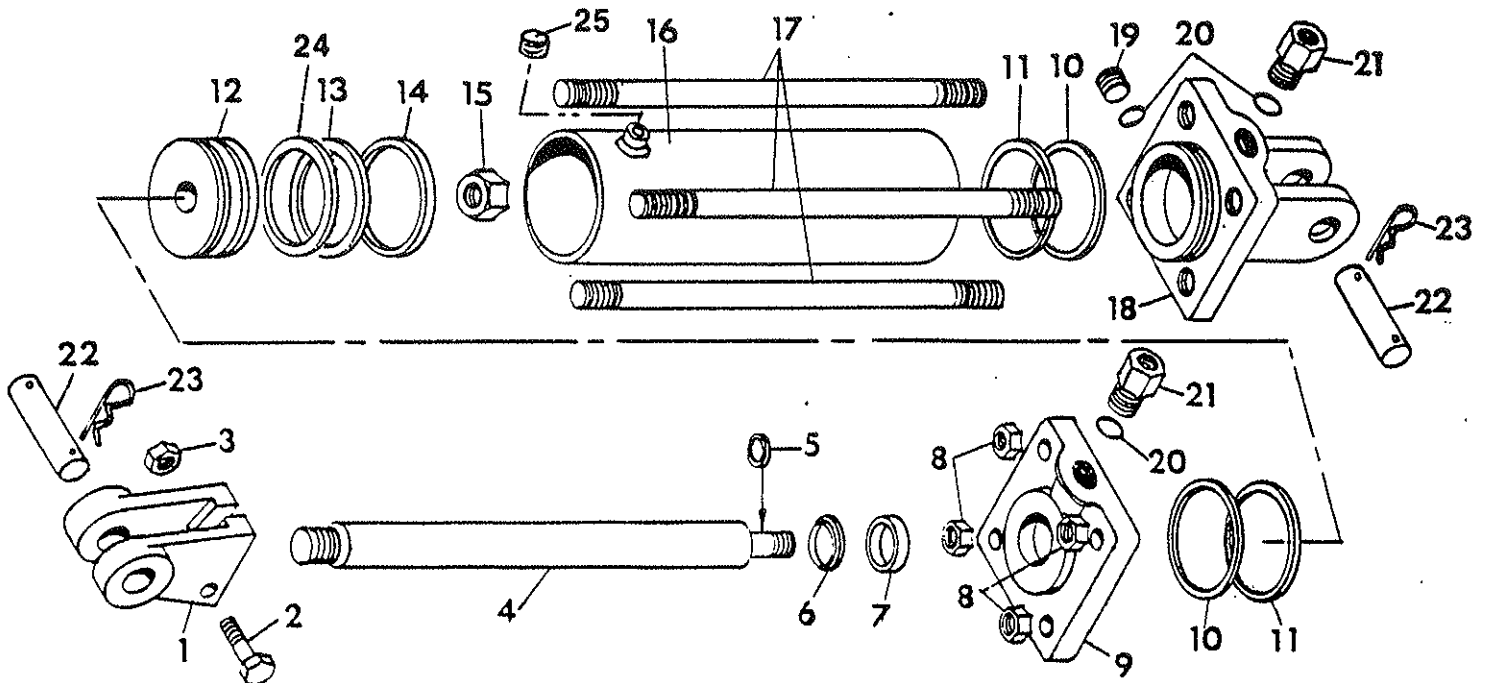
NSS = Not Serviced Separately



9J-481P Hydraulic Cylinder 3-1/4 x 8
 Prince #AJ-820 Painted Green
 1-1/4" Rod Dia., 20-1/4" Retracted, 28-1/4" Extended

<u>Item</u>	<u>Part No.</u>	<u>Description</u>	<u>Qty.</u>
1	9D-481	Rod End Clevis	1
2	9D-797	Capscrew, 5/16-18 NC x 2-1/4" Long	1
3	1C-385	Hex Nut, 5/16-18 NC	1
4	7J-384	Piston Rod	1
*5	NSS	O-Ring	1
*6	NSS	Rod Wiper	1
*7	NSS	U-Cup	1
8	1C-390	Hex Nut, 1/2-13 NC	4
9	9J-643	Gland	1
*10	NSS	Back Up Washer	2
*11	NSS	O-Ring	2
12	9J-642	Piston	1
*13	NSS	Seal Assembly	1
*14	NSS	Bearing Ring	2
15	6D-918	Locknut, 3/4-16 NF	1
16	9J-641	Tube Assembly	1
17	3J-115	Tie Rod	4
18	7J-386	Base	1
19	7J-025	Level Seal Plug	2
20	7J-024	O-Ring (not a part of 7J-025 and 7J-026)	3
21	7J-026	Adaptor (without O-Ring)	2
22	5D-155	Clevis Pin	2
23	1D-594	Hairpin Clip	4
24	NSS	O-Ring	1
25	9J-623	Plug	1
*	9J-644	PMCK-AJ-820 Seal Kit	

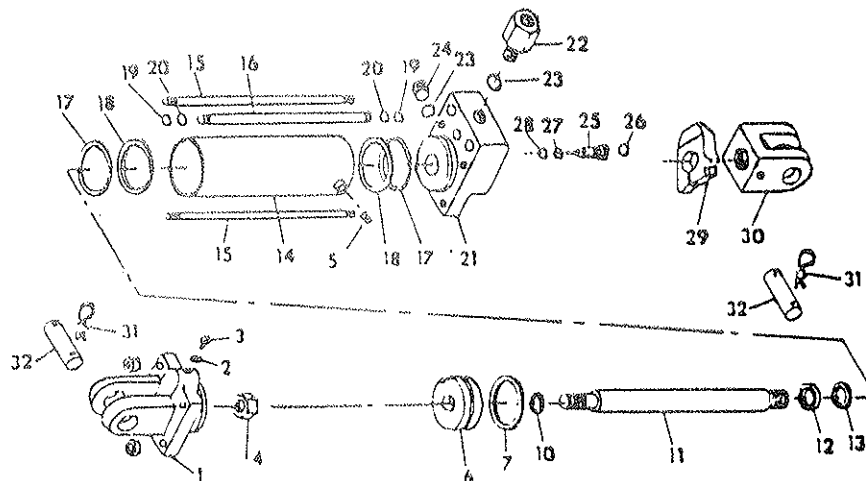
NSS = Not Service Separately



9J-482P Hydraulic Cylinder 4-1/4 x 8
 Prince #AJ-821 Painted Green
 1-1/2" Rod Dia., 20-1/4" Retracted, 28-1/4" Extended

<u>Item</u>	<u>Part No.</u>	<u>Description</u>	<u>Qty.</u>
1	6J-907	Butt (base)	1
2	3J-728	Nyltite Seal	1
3	3J-730	Capscrew	1
4	8J-852	Locknut 1-1/8-12 N.F.	1
5	9J-623	Plug	1
6	8J-853	Piston	1
*7	NSS	Urethane Seal	1
*10	NSS	O-Ring	1
11	8J-854	Piston Rod	1
*12	NSS	U-Cup	1
*13	NSS	Wiper	1
14	9J-636	Tube Assembly	1
15	5J-149	Tie Rod	4
16	3J-720	Manifold Tube	1
*17	NSS	Back Up Washer	2
*18	NSS	O-Ring	2
*19	NSS	O Ring	2
* 20	NSS	Back Up Washer	2
21	9J-637	Gland	1
22	7J-026	Adaptor (Without O-Ring)	2
23	7J-024	O-Ring (Not a Part of 7J-025 & 7J-026)	3
24	7J-025	Steel Plug, O-Ring Type (Without O-Ring)	1
25	9J-638	Valve Assembly	1
*26	NSS	O-Ring	1
*27	NSS	O-Ring	1
*28	NSS	Back Up Washer	1
29	9J-639	Striker Plate (Includes 3/8 x 2-3/4 square head bolt, locknut & washer)	1
30	1J-072	Clevis Assembly	1
	5D-667	Cap Screw, 3/8-16 NC x 2-1/2"	1
31	1D-594	Hairpin Cotter	4
32	7J-067	Pin	2
*	9J-640	PMCK-AJ-821 Seal Kit	

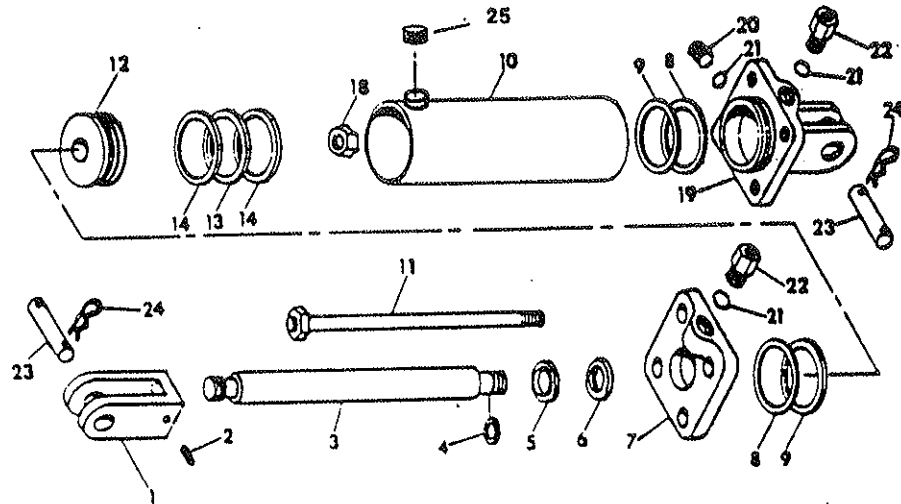
NSS - Not Service Separately



9J-483P Hydraulic Cylinder 3-3/4 x 8
 Prince #AJ-814 Painted Green
 1-3/8" Rod Dia., 20-1/4" Retracted, 28-1/4" Extended

<u>Item</u>	<u>Part No.</u>	<u>Description</u>	<u>Qty.</u>
1	3J-723	Rod End Clevis	1
2	5D-667	Cap Screw, 3/8-16 NC x 2-1/2"	1
	5C-954	Stover Lock Nut, 3/8-16 NC	1
3	5J-172	Piston Rod	1
*4	NSS	O-Ring	1
*5	NSS	Rod Wiper	1
*6	NSS	U-Cup	1
7	9J-650	Gland	1
*8	NSS	Back Up Washer	2
*9	NSS	O-Ring	2
10	9J-651	Tube Assembly	1
11	8J-859	Tie Rod with Nut	4
12	8J-860	Piston	1
*13	NSS	O-Ring	1
*14	NSS	Back Up Washer	2
18	6C-750	Lock Nut, 7/8-14 NF	1
19	7J-064	Base	1
20	7J-025	Steel Plug, O-Ring Type (without O-Ring)	1
21	7J-024	O-Ring (not a part of 7J-025 and 7J-026)	3
22	7J-026	Adaptor (without O-Ring)	2
23	7J-067	Clevis Pin 1" Dia. x 4" Long	2
24	1D-594	Hairpin Cotter	4
25	9J-623	Plug	1
*	9J-652	PMCK-AJ-814	

NSS = Not Serviced Separately



9J-484P Hydraulic Cylinder 4 x 8
 Prince #AJ-815 Painted Green
 1-3/8" Rod Dia., 20-1/4" Retracted, 28-1/4" Extended

<u>Item</u>	<u>Part No.</u>	<u>Description</u>	<u>Qty.</u>
1	3J-723	Rod End Clevis	1
2	5D-667	Cap Screw, 3/8-16 NC x 2-1/2"	1
	5C-954	Stover Lock Nut, 3/8-16 NC	1
3	5J-172	Piston Rod	1
*4	NSS	O-Ring	1
*5	NSS	Rod Wiper	1
*6	NSS	U-Cup	1
7	9J-621	Gland	1
*8	NSS	O-Ring	2
*9	NSS	Back Up Washer	2
10	9J-622	Tube Assembly	1
11	8J-859	Tie Rod	4
12	8J-868	Piston	1
*13	NSS	O-Ring	1
*14	NSS	Back Up Washer	2
18	6C-750	Lock Nut 7/8-14 NF	1
19	7J-053	Base	1
20	7J-025	Steel Plug, O-Ring Type (without O-Ring)	3
21	7J-024	O-Ring (nor a part of 7J-025 and 7J-026)	5
22	7J-026	Adaptor (without O-Ring)	2
23	7J-067	Clevis Pin 1" Dia. x 4" Long	2
24	1D-594	Hairpin Cotter	4
*25	NSS	Bearing Ring	2
26	9J-623	Plug	1
*	9J-624	PMCK-AJ-815	

NSS = Not Serviced Separately

